

# Installation Instructions For Wall lamp To be installed by qualified electrician

**NOTE: Before starting of installation, please read instructions carefully.**

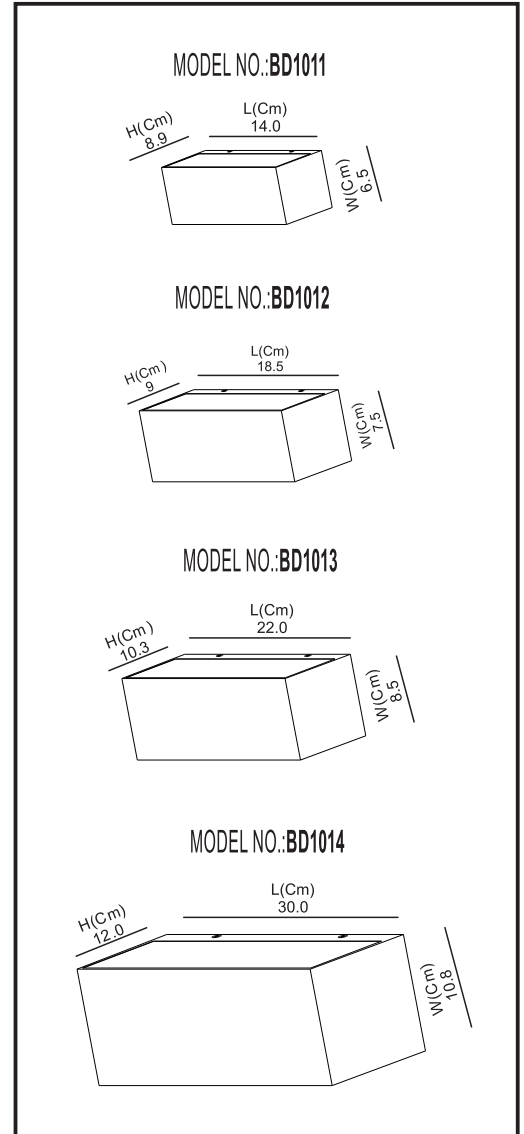
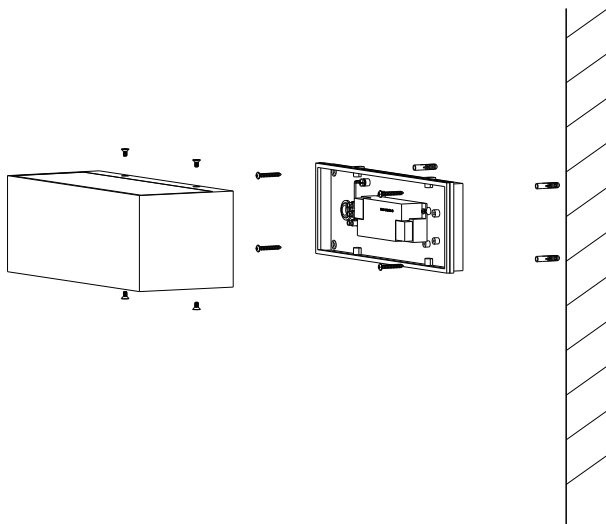
**Specification:**

Max Power: 8W(1011), 12W(1012), 20W(1013), 30W(1014)  
 Weight: 550g±50g(1011),700g±50g(1012),1000g±50g(1013), 1900±100g(1014)  
 Voltage: 220-240V~50/60Hz  
 IP Rating: IP 65  
 Operating temperature: 0-45°C

**Warning:**

- Not suitable for food preparation areas.
- Before installation, Maintenance or lamp replacement, ensure that the mains supply to the luminaire is switched off and that the circuit supply fuses are removed or circuit breaker turned off.
- It is recommended that a qualified electrician is consulted or used for the installation of this luminaire and installed to the current edition of the IEE wiring regulations and Building regulations.
- Check that the total load on the circuit including when this luminaires is fitted does not exceed the rating of the circuit cable, fuse or circuit breaker.
- This luminaire becomes very hot do not touch the luminaire until it has cooled down.
- Faulty lamps must be replaced immediately or damage will be caused to the control gear of fitting.
- The IP rating of plug should be reach as the fitting.

**INSTALLATION:**



**SAFETY DIRECTION**

1. Electrical appliances must only be connected by a qualified electrician.
2. Disconnect the mains cable from the power supply before commencing installation work.
3. After turning on the switch, temperature of the bulb rises gradually, when the bulb is lighting or not completely cooled, please do not touch bulb with hand.
4. If should change bulb, please cut off power first, and change bulb after bulb has been cooled enough (for details see direction of changing bulb)
5. The bulb must not exceed the specified wattage.
6. When protective glasses are damaged, must change new ones. Do not use without protective glass.
7. Please do not look at the lighting bulb directly.
8. Be sure to connect ground lead.
9. Type Y. Any replacement of the cable or cord can only be made by the manufacturer, his service agent or similarly qualified person.

# Installation steps

